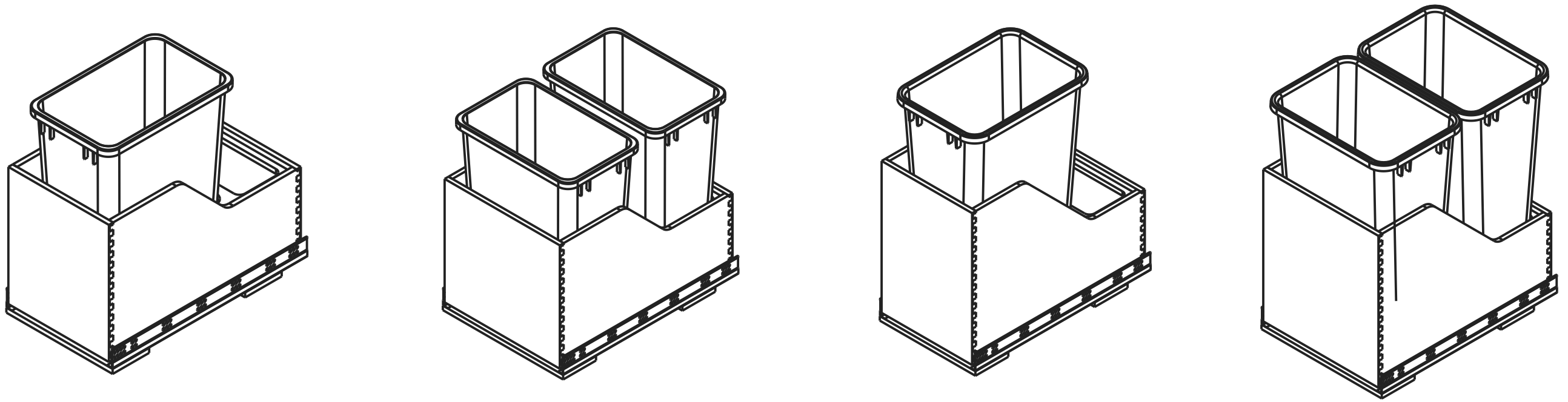


8 7 6 5 4 3 2 1

F
E
D
C
B
A

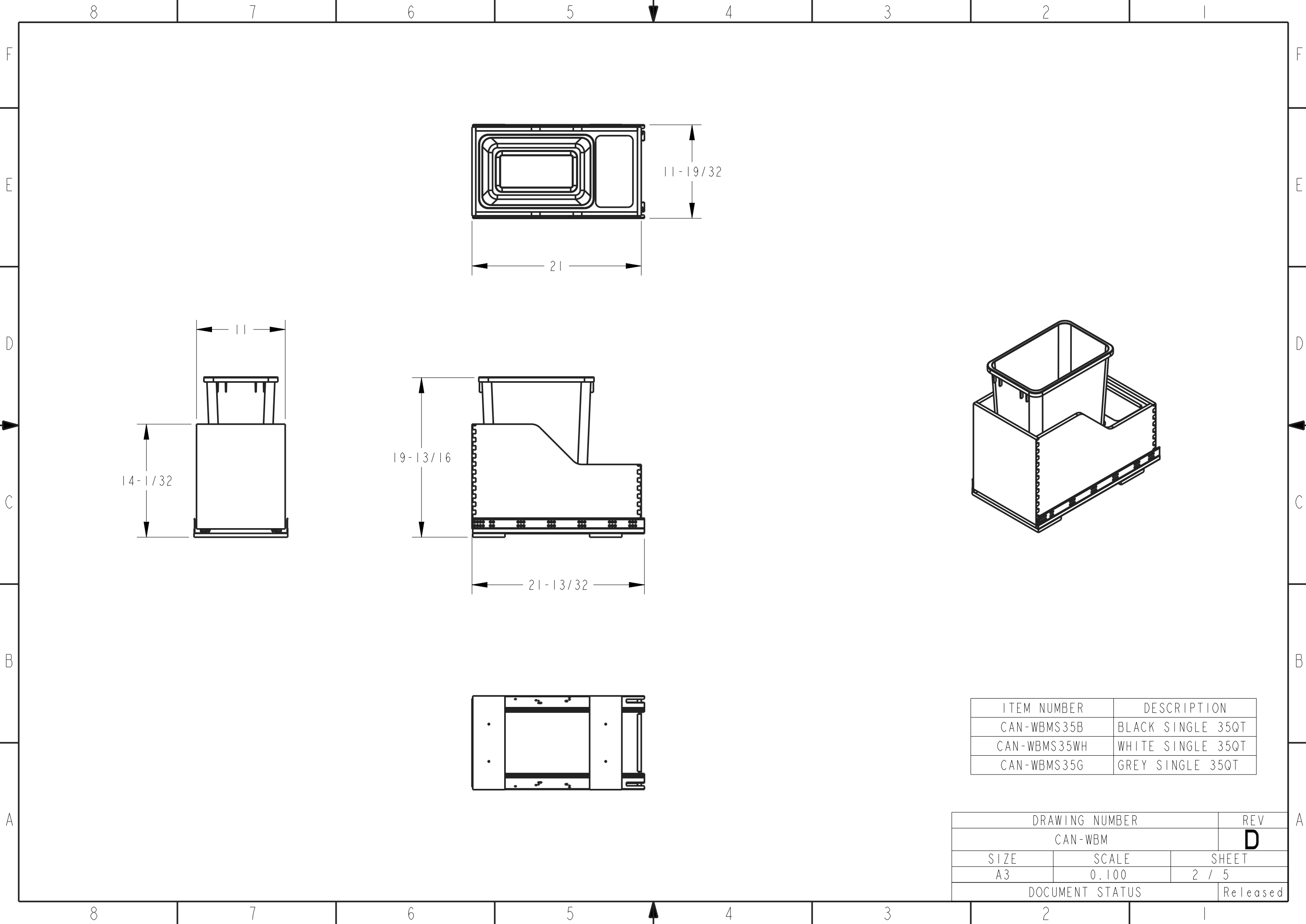


DOCUMENT STATUS	Released
DIMENSIONS OR FEATURES WITH * ARE CRITICAL	
HARDWARE RESOURCES RESERVES THE RIGHT TO CHANGE SPECIFICATIONS WITHOUT NOTICE. IN CASE OF A DISCREPANCY, ACTUAL PART GEOMETRY SUPERSEDES THIS DOCUMENT.	
THE INFORMATION CONTAINED WITHIN THIS DRAWING IS THE SOLE PROPERTY OF HARDWARE RESOURCES INC. ANY REPRODUCTION IN PART OR WHOLE WITHOUT WRITTEN PERMISSION OF HARDWARE RESOURCES INC. IS PROHIBITED.	

THIRD ANGLE PROJECTION	
MATERIAL	FINISH
N/A	N/A
DRAWN BY	DATE
J. CORLESS	18AUG16
DESIGNED BY	DATE
SOURCED	N/A
APPROVED BY	DATE
D. MCGREGOR	16AUG16

DESCRIPTION		
PREASSEMBLED PULLOUT WASTE CONTAINER WITHOUT DOOR MOUNT BRACKET		
DRAWING NUMBER		REV
CAN-WBM		D
SIZE	SCALE	SHEET
A3	0.100	1 / 5

8 7 6 5 4 3 2 1

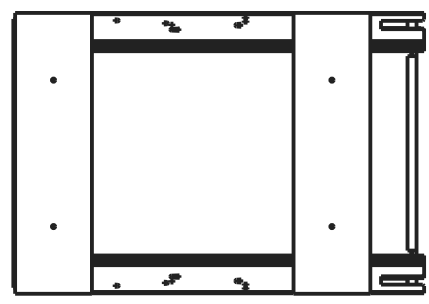
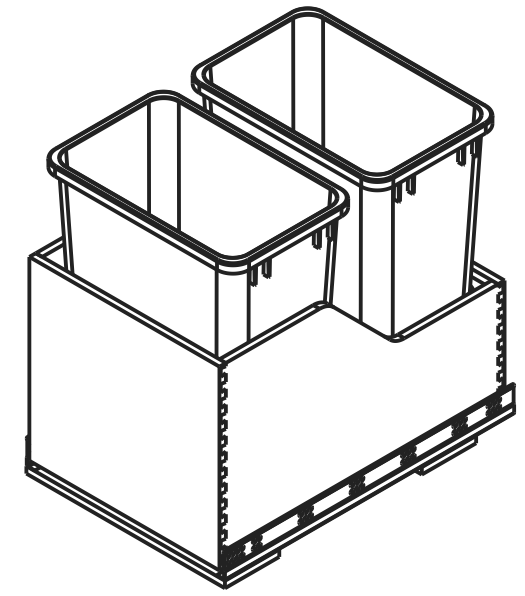
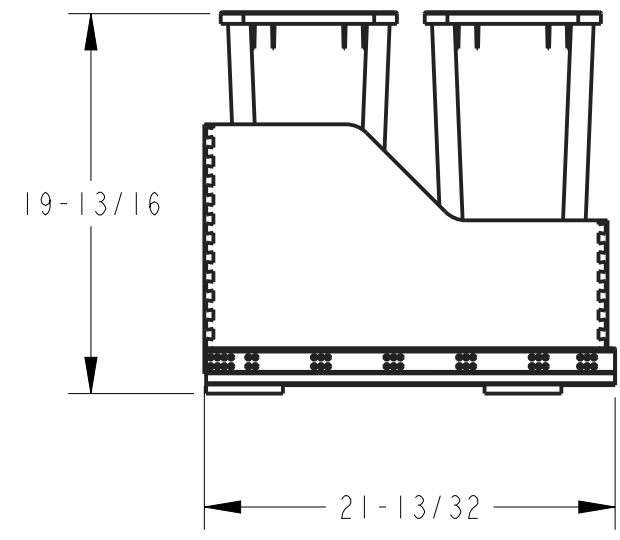
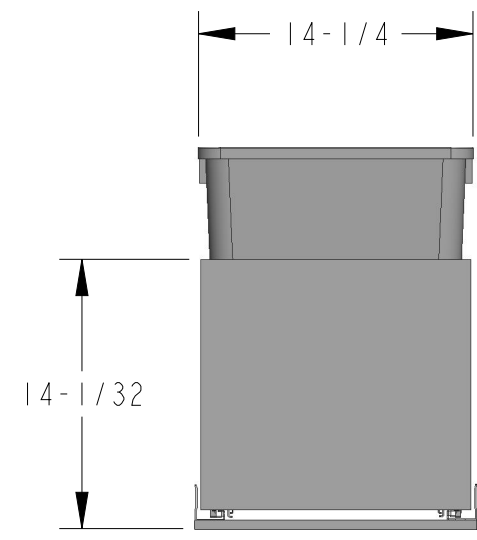
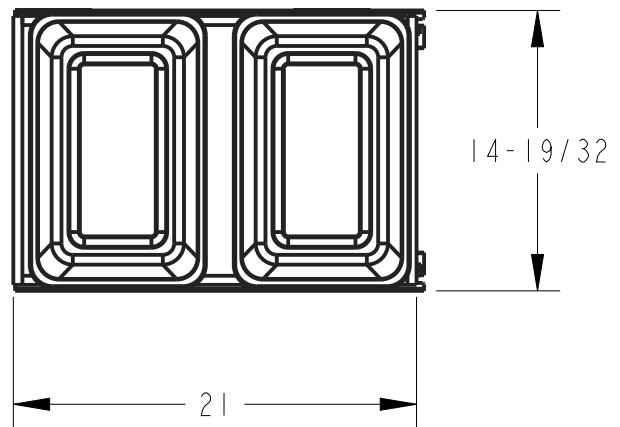


ITEM NUMBER	DESCRIPTION
CAN-WBMS35B	BLACK SINGLE 35QT
CAN-WBMS35WH	WHITE SINGLE 35QT
CAN-WBMS35G	GREY SINGLE 35QT

DRAWING NUMBER		REV
CAN-WBM		D
SIZE	SCALE	SHEET
A3	0.100	2 / 5
DOCUMENT STATUS		Released

8 7 6 5 4 3 2 1

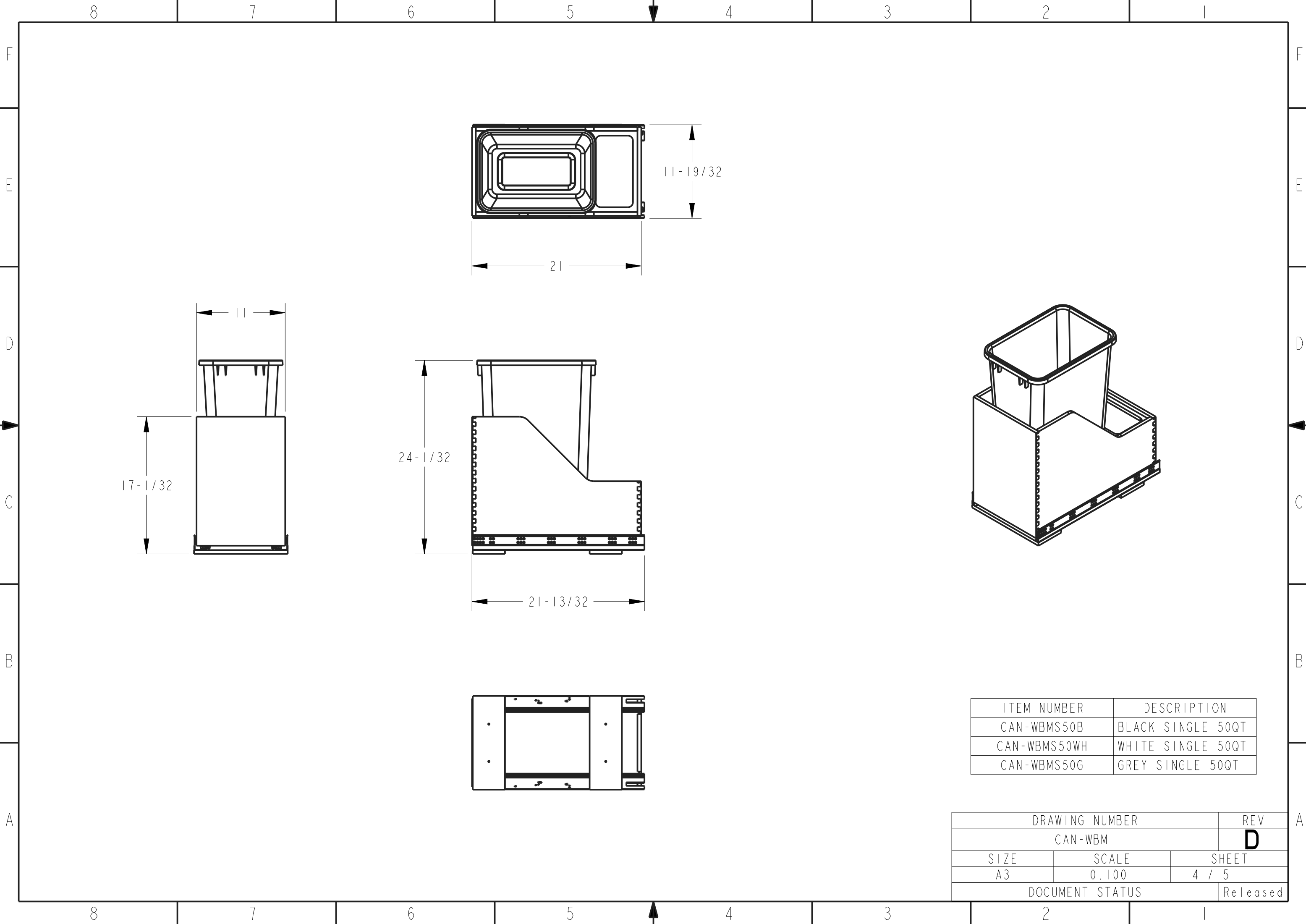
F
E
D
C
B
A



ITEM NUMBER	DESCRIPTION
CAN-WBMD35B	BLACK DOUBLE 35QT
CAN-WBMD35WH	WHITE DOUBLE 35QT
CAN-WBMD35G	GREY DOUBLE 35QT

DRAWING NUMBER		REV
CAN-WBM		D
SIZE	SCALE	SHEET
A3	0.100	3 / 5
DOCUMENT STATUS		Released

8 7 6 5 4 3 2 1

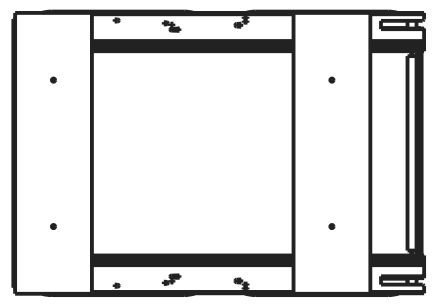
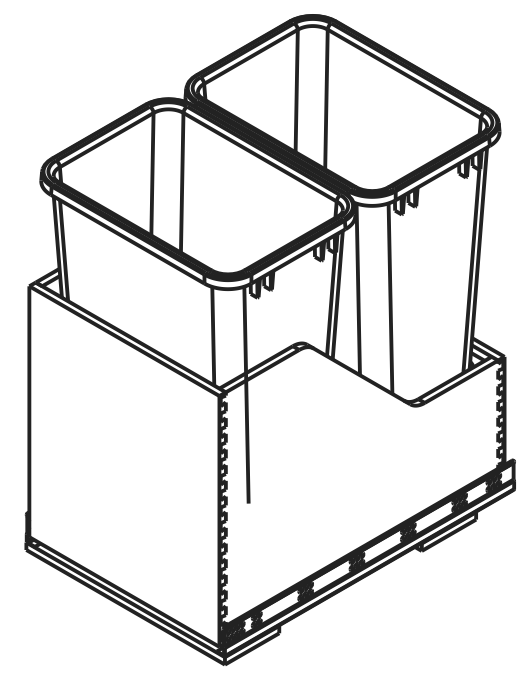
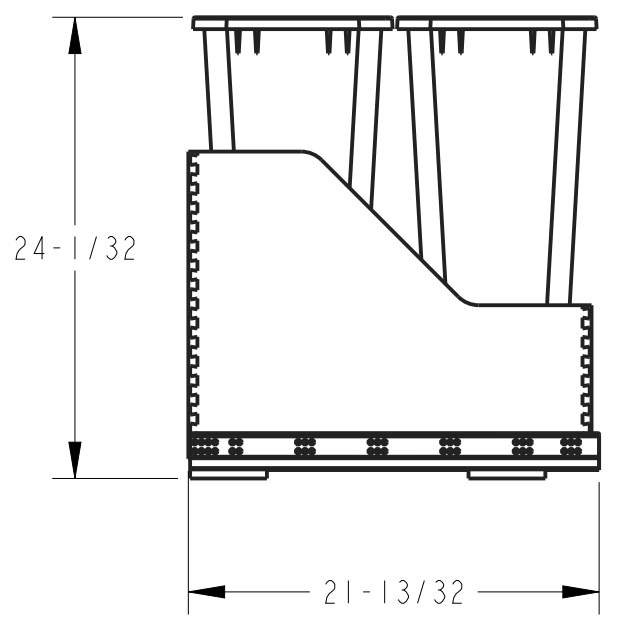
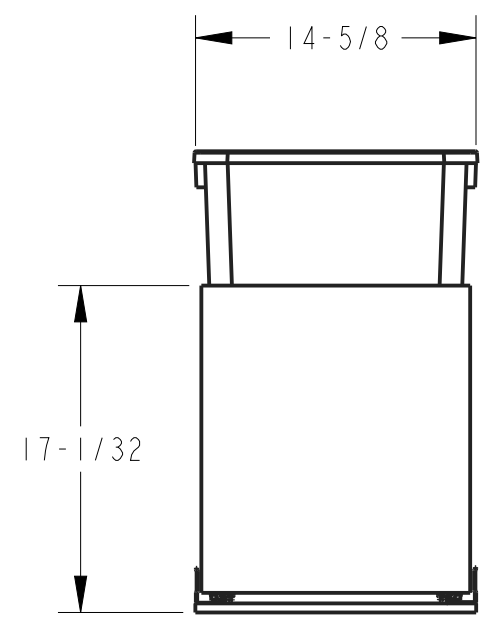
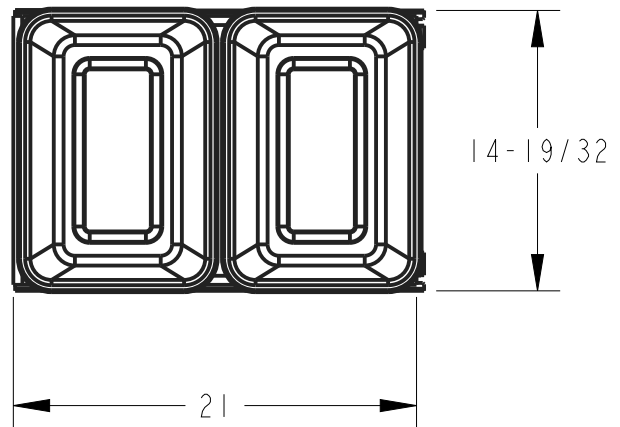


ITEM NUMBER	DESCRIPTION
CAN-WBMS50B	BLACK SINGLE 50QT
CAN-WBMS50WH	WHITE SINGLE 50QT
CAN-WBMS50G	GREY SINGLE 50QT

DRAWING NUMBER		REV
CAN-WBM		D
SIZE	SCALE	SHEET
A3	0.100	4 / 5
DOCUMENT STATUS		Released

8 7 6 5 4 3 2 1

F
E
D
C
B
A



ITEM NUMBER	DESCRIPTION
CAN-WBMD50B	BLACK DOUBLE 50QT
CAN-WBMD50WH	WHITE DOUBLE 50QT
CAN-WBMD50G	GREY DOUBLE 50QT

DRAWING NUMBER		REV
CAN-WBM		D
SIZE	SCALE	SHEET
A3	0.100	5 / 5
DOCUMENT STATUS		Released

8 7 6 5 4 3 2 1